

GENERAL CONSTRUCTION NOTES:

1. TEMPORARY SERVICE DROPS NOT TO EXCEED 100'.
2. THE SERVICE ATTACHMENT SHALL BE INSTALLED AT A HEIGHT THAT MAINTAINS THE FOLLOWING CLEARANCES FOR SERVICE DROP CONDUCTORS AT FINAL SAG.
 - A. RESIDENTIAL DRIVEWAYS - A MINIMUM OF 16.0 IN SPAN CLEARANCE IS REQUIRED OVER RESIDENTIAL DRIVEWAYS.
 - B. ROADS, NON-RESIDENTIAL DRIVEWAYS ETC SUBJECT TO TRUCK TRAFFIC. A MINIMUM OF 18'-0" IN-SPAN CLEARANCE IS REQUIRED OVER ROADS, STREETS, NON-RESIDENTIAL DRIVEWAYS, PARKING LOTS AND OTHER AREAS SUBJECT TO TRUCK TRAFFIC.
 - C. PEDESTRIAN AREAS. A MINIMUM OF 12.0' IN-SPAN CLEARANCE IS REQUIRED FOR SERVICE DROP CONDUCTORS OVER SPACES AND WAYS SUBJECT TO PEDESTRIANS.
3. NAIL TIMBERS FULL LENGTH, MINIMUM SIZE 1 6D (3 1/2") NAILS. IF STRUCTURE IS REUSED, TREATED TIMBER IS RECOMMENDED.
4. IF SERVICE DROP MUST BE ATTACHED AT A POINT HIGHER THAN 12 FT. IN ORDER TO OBTAIN REQUIRED CLEARANCE TO GROUND, USE TWO 2" X 4" X 8'-0" BRACES NAILED TOGETHER FOR INCREASED STIFFNESS.

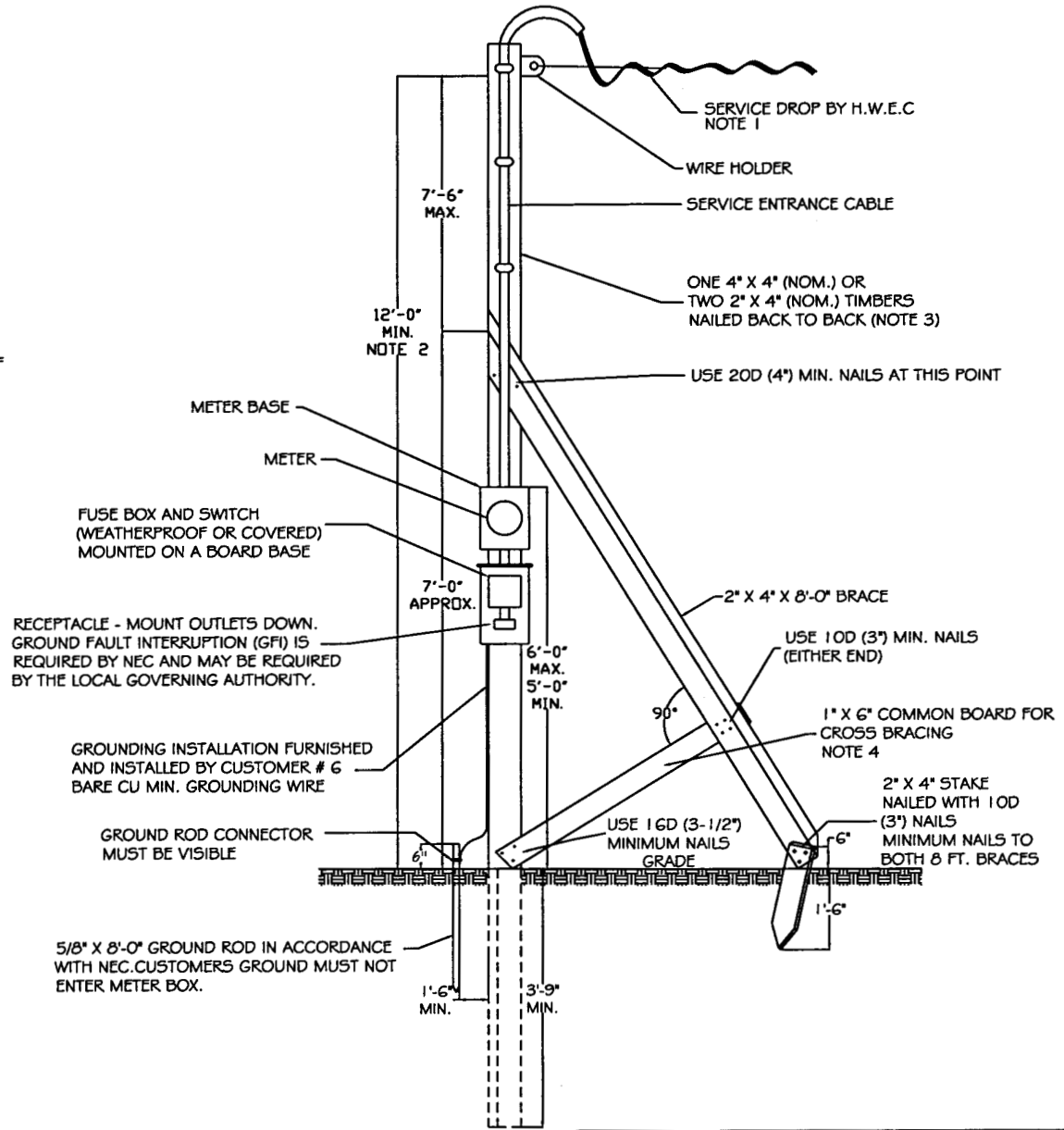
GENERAL CONDITION NOTES:

H.W.E.C WILL BE RESPONSIBLE FOR:

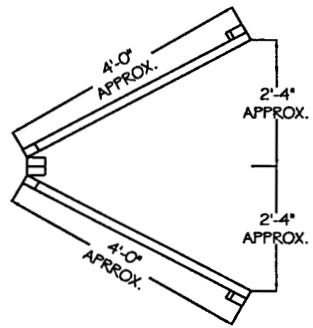
- A. PROVIDING AND INSTALLING OVERHEAD SERVICE DROP (NO.2 TRIPLEX SERVICE DROP.)
- B. PROVIDING AND INSTALLING METER.

THE CUSTOMER WILL BE RESPONSIBLE FOR:

- A. PROVIDING AND INSTALLING THE METER BASE.
- B. PROVIDING AND INSTALLING THE COMPLETED TEMPORARY STRUCTURE TO WHICH SERVICE DROP WILL BE ATTACHED. INSTALLATION MUST MEET HWEC'S REQUIREMENTS.
- C. A TOOL SHED (IF AVAILABLE) OR OTHER TYPE OF FIXED SUPPORT MAY BE USED AS A TEMPORARY SERVICE DROP ATTACHMENT IF SUCH SUPPORT PROVIDES EQUAL STRENGTH AND PROPER CLEARANCES.
- D. PROVIDE AND INSTALLING SERVICE ENTRANCE CABLE AND SERVICE ENTRANCE EQUIPMENT.



TOP VIEW



HANCOCK WOOD ELECTRIC COOPERATIVE		
<small>NORTH BATAVIA, OHIO (419) 251-5241 • (419) 423-4511</small>		
<small>PROJECT: TEMPORARY SERVICE</small>	<small>ORDER: TP</small>	<small>SCALE: NO SCALE</small>
<small>DATE: 09/20/01</small>	<small>DRAWN BY: BAF</small>	<small>APPROVED: 09/21/01</small>
<small>SHEET</small>	<small>OF</small>	<small>1</small>